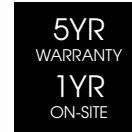


GLOW UFO HIGHBAY

GLOWUFO-100CW



LIGHTING & SECURITY

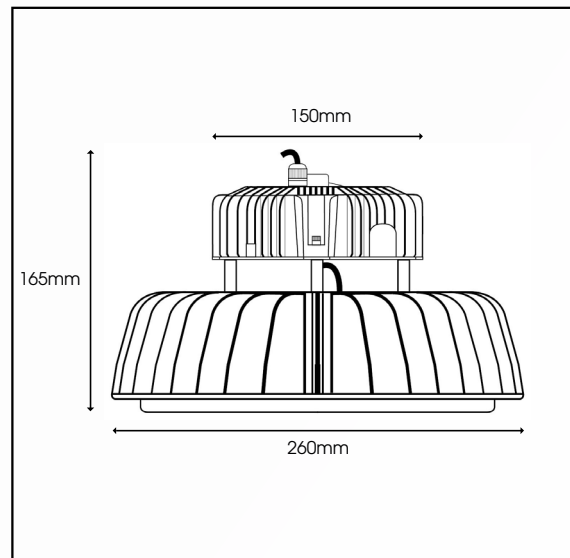


Driver as Standard



LED's inside

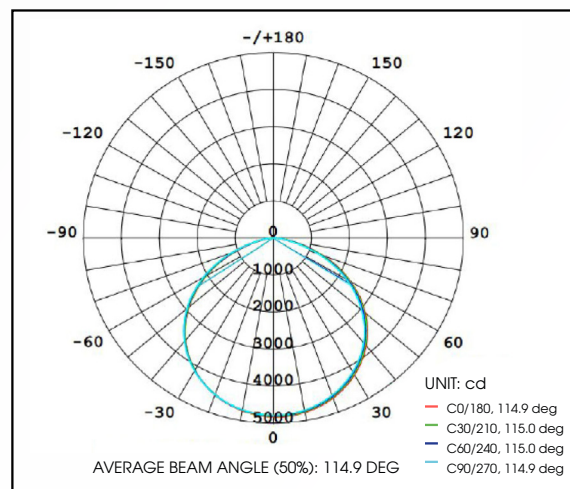
TECHNICAL DRAWINGS



Specification	UFO Highbay-100CW
System Power	100W
LED Chipset	Samsung
Driver Manufacturer	Lifud
Colour Rendering Index	>85
UGR	<25
Lumen Output	14000Lm
LED Efficacy	140 Lm/cW
Power Factor	>0.9
IP Rating	IP65
IK Rating	IK08
Beam Spread	120 °
Colour Temperature	6000K
Housing Material	Aluminium
Diffuser Type	Tempered Glass
Operating Temperature	-20 to 65 °C
Input Voltage	AC200-240V, 47-63H
Weight	3.3kg (Net), 3.8kg (Gross)
Dimensions	ø260mm x 165mm
MacAdam Step	<3
Lifetime	50,000 hours, L70-B10 (Ta 25 °C)
CE Standards	EN60598-1, EN 60598 2-5, EN62493, EN55015, EN61547, EN61000-3-2, EN61000-3-3, EN62722-1, EN62722-2-1 and EN50581
CE Directives	LVD, EMC, ERP & RoHS

* Warranty terms and conditions apply

LUMINOUS INTENSITY DISTRIBUTION DIAGRAM



For further information on our products or terms and conditions visit our website www.qvisled.com or email: sales@qvislighting.com

INDUSTRIAL RANGE